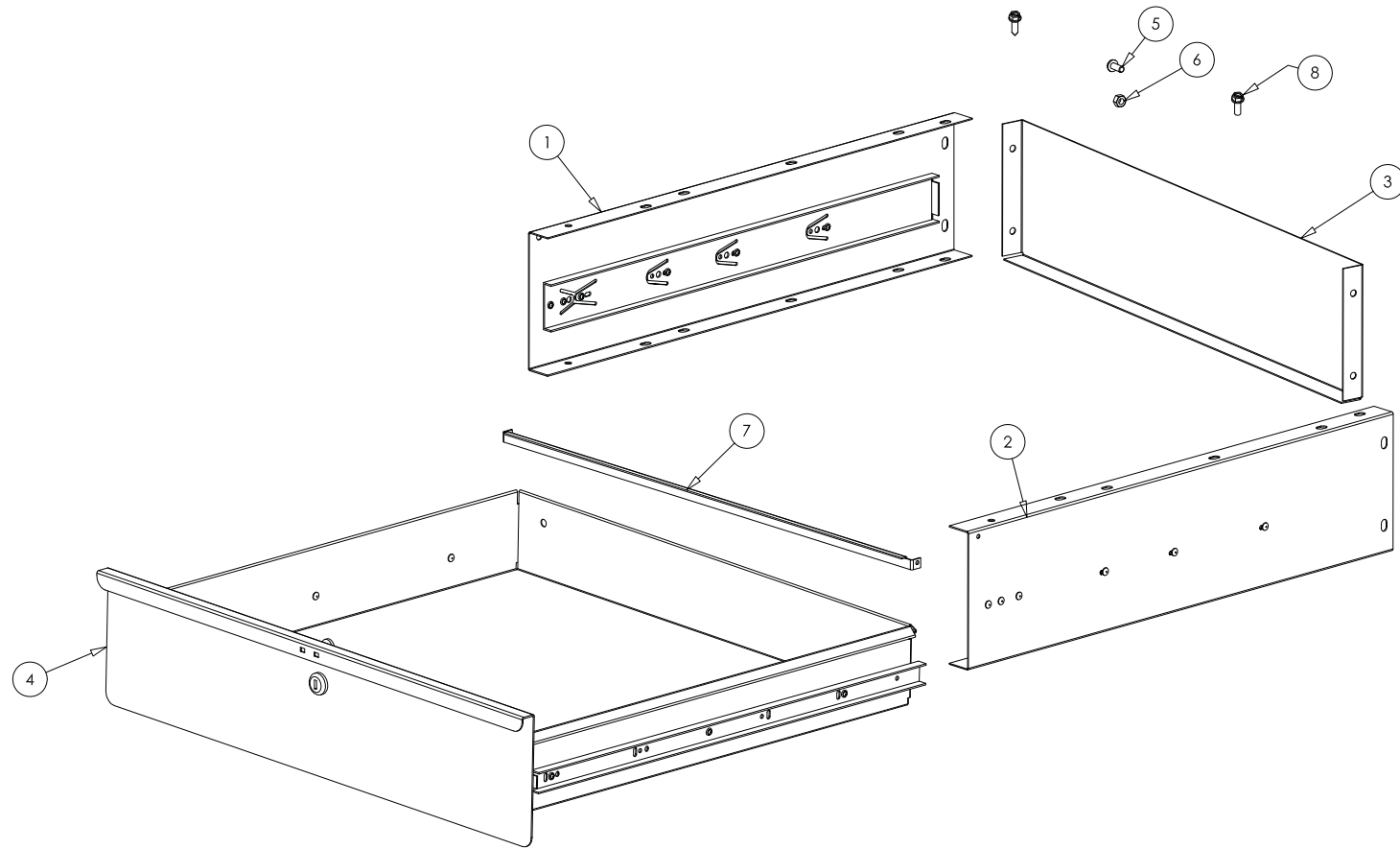


## REPLACEMENT PARTS



REF. NO.	DESCRIPTION	QTY.	PART NO.
1	LH Suspension Bracket Assembly	1	
2	RH Suspension Bracket Assembly	1	
3	Rear Cross Brace	1	
4	Drawer	1	
5	1/4-20 x 1/2 Zinc Bolt	18	BOLT
6	1/4-20 Zinc Hex Nut	6	NUT
7	Front Cross Brace	1	
8	#14 3/4 Hex Washer Head Screw	8	WOODSCREW

**Tennsco makes every effort to ensure that all units ship complete with all parts and arrive undamaged. However, should your unit contain missing or damaged parts, please contact your purchase location.**

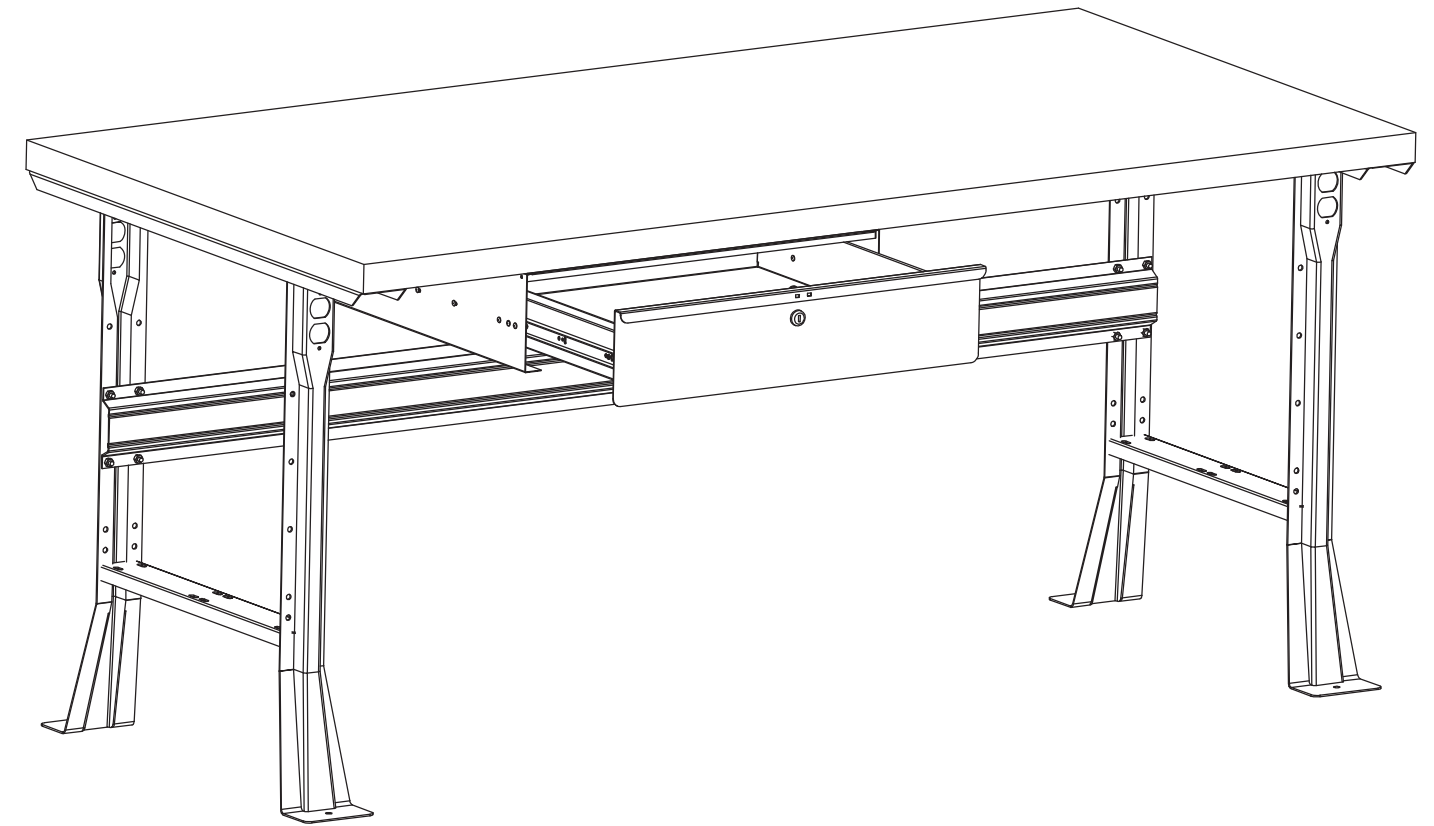
49B273

## ASSEMBLY INSTRUCTIONS & PARTS MANUAL



### WBD-25 Workbench Drawer Installation Instructions

RETAIN INSTRUCTIONS FOR FUTURE REFERENCE!



#### GENERAL SAFETY INFORMATION

Some parts may have sharp edges. CARE must be taken when handling various pieces to avoid injury. For safety, wear a pair of work gloves when assembling or performing any maintenance.

#### LIMITED WARRANTY

Tennsco warrants goods purchased hereunder to be free of defects in materials and workmanship for a period of one (1) year from the date of shipment, hereunder. This warranty shall not apply in the event goods are damaged as a result of misuse, abuse, neglect, accident, improper application, modification or repair by persons not authorized by Seller, where goods are damaged during shipment, or where the date stamps on the goods have been defaced, modified or removed. UNLESS CONSIDERED UNENFORCEABLE OR UNLAWFUL UNDER APPLICABLE LAW:

- a. ALL IMPLIED WARRANTIES, INCLUDING BUT NOT LIMITED TO WARRANTIES OF MERCHANTABILITY AND FITNESS FOR A PARTICULAR PURPOSE ARE HEREBY EXCLUDED;
- b. BUYERS REMEDY, IF ANY, FOR ANY DEFECTIVE GOODS SHALL BE LIMITED TO A REFUND BY SELLER OR REPLACEMENT OF THE GOODS AT SELLER'S OPTION, AND SHALL IN NO EVENT INCLUDE DAMAGES OF ANY KIND, WHETHER INCIDENTAL, CONSEQUENTIAL OR OTHERWISE.

NO GOODS ACCEPTED FOR RETURN WITHOUT PRIOR APPROVAL. Seller shall have the right to inspect any goods claimed to be defective at Buyers place of business or require Buyer to return the goods to Seller for inspection on Seller's premises. Transportation charges covering returned goods will be borne by Seller only if such goods are proven to be defective, are covered by this warranty and are returned within the warranty period stated above.



PROUDLY MADE IN THE U.S.A.

Tennsco Corp., Dickson, TN 37056-1888 • (615) 446-8000

PK-2731114

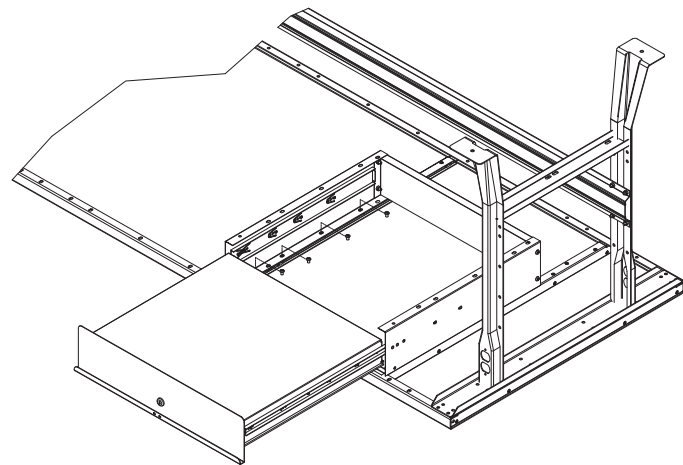
# INSTALLATION OF WBD-25

READ INSTRUCTIONS CAREFULLY BEFORE ATTEMPTING TO ASSEMBLE THE DRAWER

## Installation of WBD-25 for Steel Top

**NOTE:** The instructions below are for steel tops ONLY. If you have a wood or plastic top, please refer to the column to the right.

1. Turn the workbench over. Install WBSR-XX running front to back as shown using two 1/4-20 x 1/2 bolts. Position the drawer assembly in the desired location and fully extend the drawer as shown.



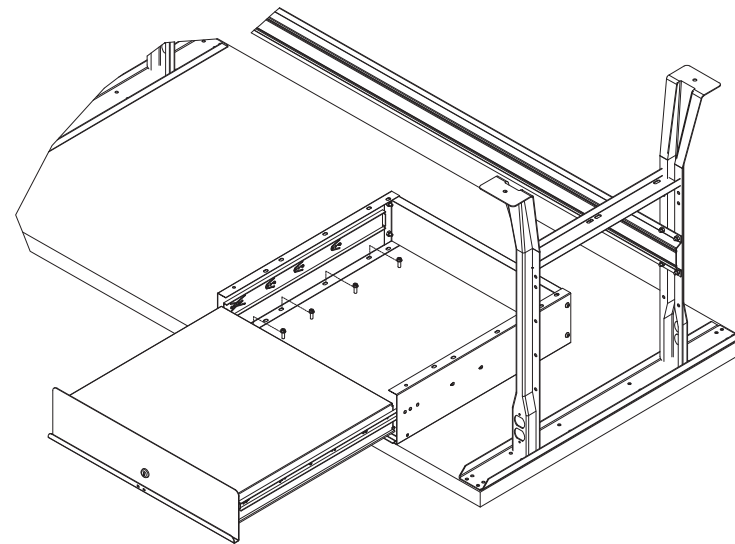
2. Attach the drawer assembly to the WBSR-xx using eight 1/4-20 x 1/2 bolts. Close drawer and turn workbench back over to the upright position.

**NOTE:** Skip to Step 4, unless you have workbenches with wood or plastic tops.

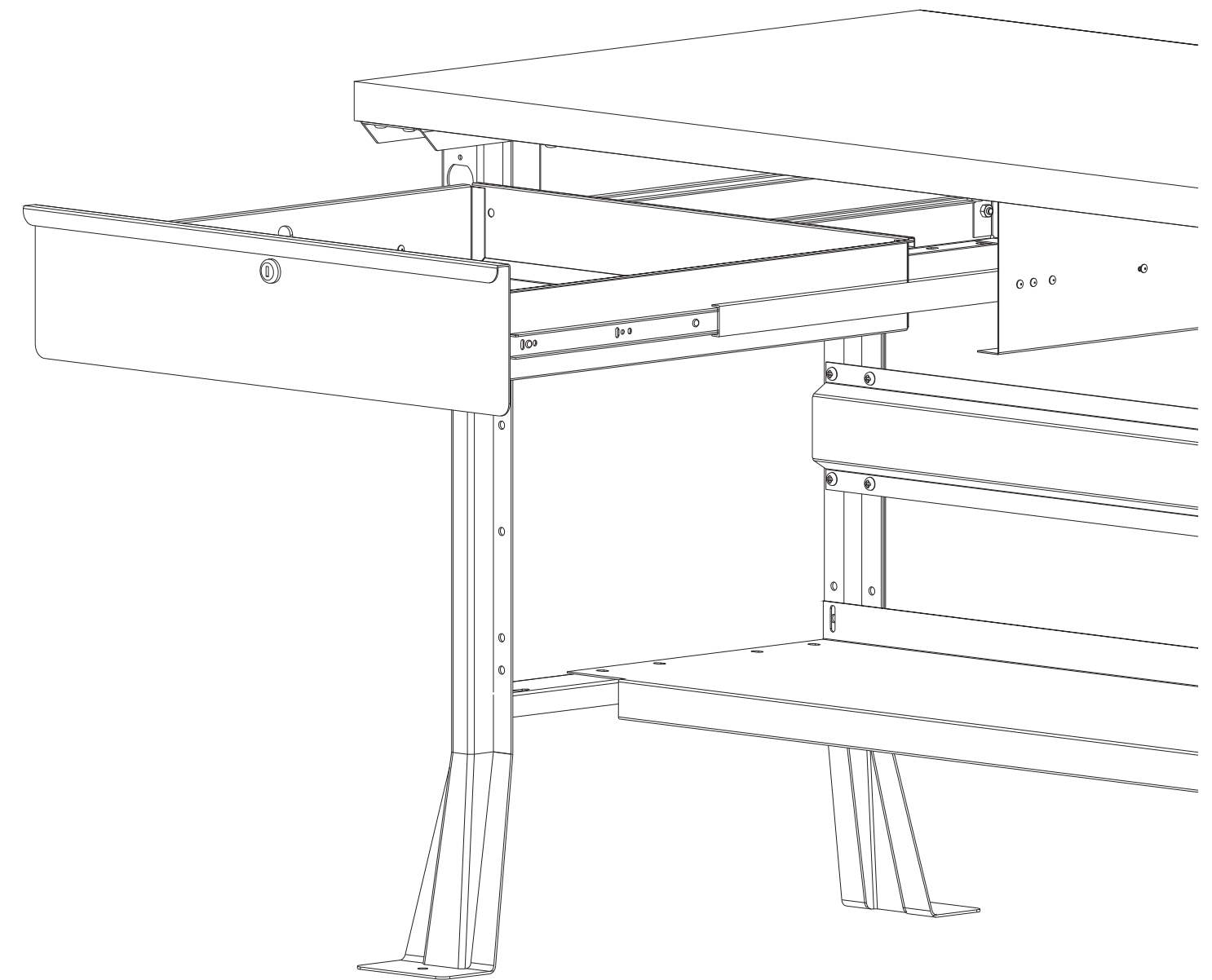
## Installation of WBD-25 for Wood or Plastic Top

1. Turn the workbench over. Position the drawer assembly in the desired location and fully extend the drawer as shown below.

Using the drawer assembly as a template, mark locations of eight holes for wood screws onto the underside of the top (four holes on each side). Using a 5/32" drill bit, drill holes into the wood top, drilling about 1/2" to 3/4" deep.



2. Attach the assembly to the top using eight wood screws.
3. Close the drawer and turn the workbench over to the upright position.



4. Cycle the drawer in and out a few times to check operation.

**NOTE:** The drawer and suspensions have a 50 pound weight capacity.